

JAN/FEB SPECIAL !

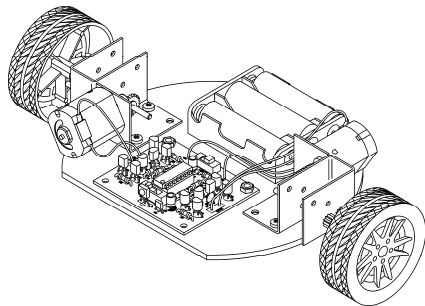
JOUSTER—an Infra-red controlled vehicle

Maximum 4 per customer

(4 bands allow all to be used at once):

First 10 customers ½ price = \$6.30

Next 10 customers 2/3 price = \$8.40



The JOUSTER is a small agile vehicle that is controlled and steered by Infra-red remote control. There is a Receiver PCB assembly mounted on the vehicle and a Transmitter in a hand held control box. The INFRARED CONTROL UNIT (IRCU) can transmit on four (4) bands, which allows 4 JOUSTERS to be operated at the same time, by selecting one of the 4 bands.

To receive this monthly special, please send through an Order form, and quote:

JOUST-JFMS

Note: to receive this special, the order must be received NO LATER than the first day of the next month