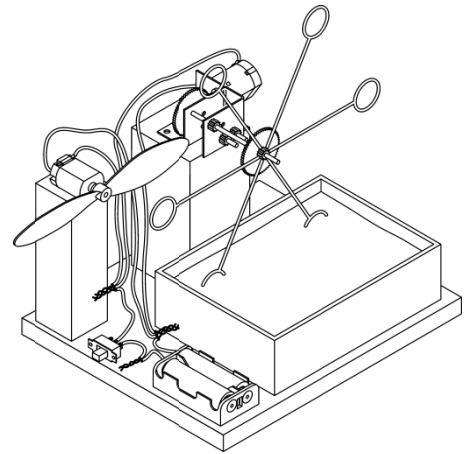


Sept 1st 2011

NEW BUBBLE BLOWER KIT – NO SOLDER

This device is designed to automatically blow bubbles! One motor, driving through a gearbox, constantly rotates 6 wire hoops, which continuously dip into a vessel holding the bubble mixture. The propeller (driven by a second electric motor) blows air into the hoops, producing a constant stream of bubbles.



See the Introductory Level Section of Technology Kits for a Video of the Bubble Blower in operation.

NOTE: This kit has components that allow it to be assembled without soldering. However, the connections will be more effective and permanent if they are soldered.

See the Intermediate Level Section of Technology Kits for Pricing

Your feedback on this kit would be greatly appreciated.