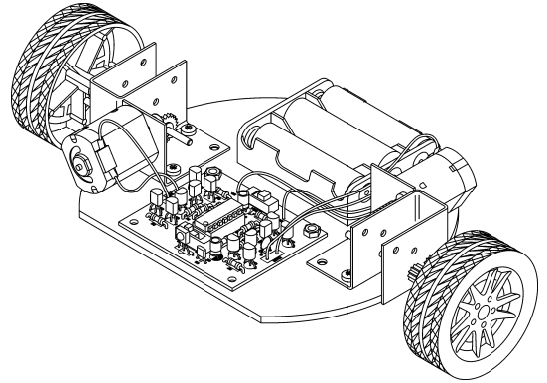


Sept 1st 2011

NEW JOUSTER KIT

The JOUSTER is a small agile vehicle that is controlled and steered by Infra-red remote control. The Receiver PCB assembly is mounted on the vehicle and a Transmitter in a hand held control box. The INFRA-RED CONTROL UNIT can transmit on four different bands, which allows 4 JOUSTERS to be operated at the same time by having each Joster set to operate on a different band.



The JOUSTER has two independent motor driven gearboxes, each driving one wheel. The remote control unit controls the vehicle through the use of push button switches – for each motor there are 2 push button switches, one to apply forward and the other to apply reverse motions. If both forward motion buttons are pushed simultaneously the vehicle travels forward in a straight line. However, if one forward push button switch and one reverse switch are pushed, the vehicle turns on the spot!

The Infra red controls are for indoor use only – it is not suitable for outdoor use. It requires line-of-sight and can operate up to a distance of approximately 20 metres.

See the Intermediate Level Section of Technology Kits for Pricing

Your feedback on this kit would be greatly appreciated.