



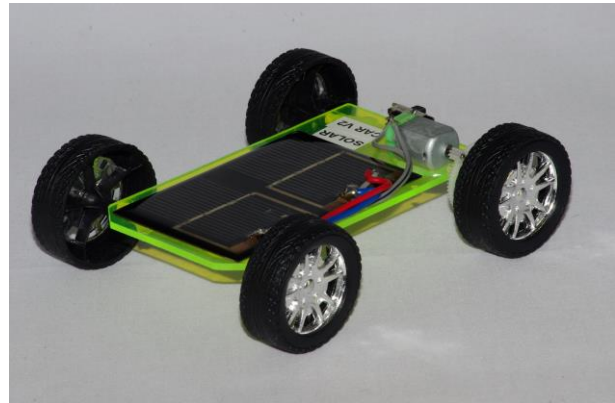
SOLAR CAR V2 (Code: SOLARV2)

DESCRIPTION

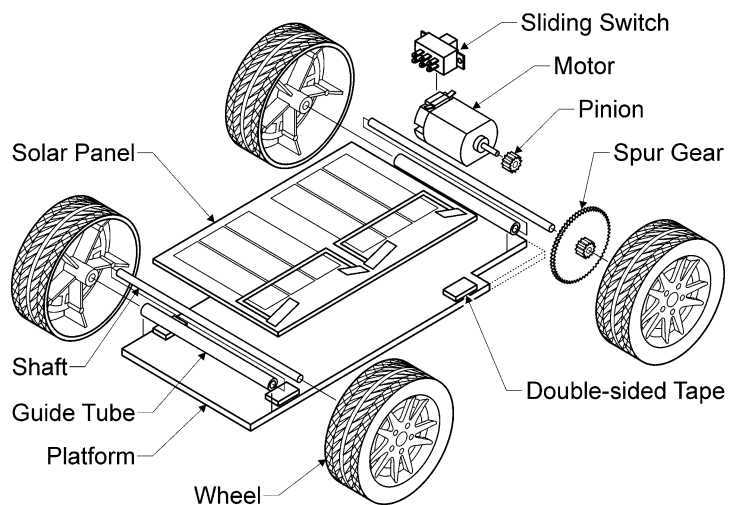
The *SOLAR CAR V2* is a basic four-wheeled vehicle, driven by an electric motor, powered by a purpose-designed solar panel. Power to the wheels is transferred from the motor by gears. This car will run on a smooth level surface from 25% sunlight upwards.

The Solar panel consists of two sections, each of 1.5 Volts and 0.35 Amps, which can be connected in series or parallel.

The photo shows the prototype vehicle. The concept has scope for variation. Students should design a vehicle to suit their own needs.



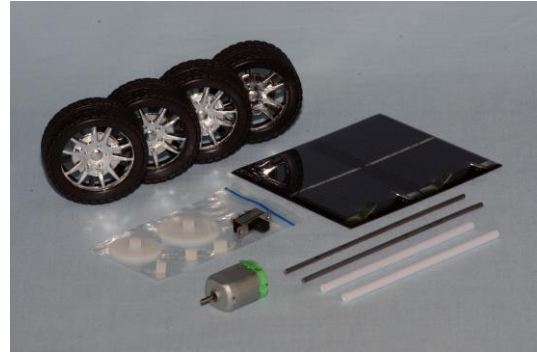
| | |
|----------------------------|--|
| LEVEL: | Introductory |
| HOURS TO CONSTRUCT: | 10 - 15 hours |
| SKILL DEVELOPMENT: | <ul style="list-style-type: none">• Planning and Design• Manufacturing• Soldering• Mechanical• Electrical• Alternative Energy |





WHAT'S IN THE KIT?

- All the mechanical and electrical components required to make the *SOLAR CAR V2* work including the solar panel, gears, motor and switch.
- A detailed teaching unit with a complete parts list, design suggestions, general construction guidelines and suggestions for testing and racing the solar cars.



ABOUT THE PROJECT

The major features of this project are the planning, design, construction and assembly stages of a simple solar vehicle.

DESIGN PHASE

- Create your own unique *SOLAR CAR V2* design based on our drawings. Focus on component relationships, rather than dimensions. This provides scope for students to individualise their *SOLAR CAR V2* design and increase their engagement in the project.

During the **Design phase**, students will need to:

- Determine a design which allows for testing of the 2-section solar panel in both series and parallel
- Evaluate the suitability of various materials, such as PVC, acrylic, plywood or balsa wood
- Determine which gears will be used from the selection of spur and pinion gears provided
- Investigate the possibility of adding steering (front wheel steering, radio control, etc.)
- Determine if forward/reverse operation is desired (additional components will be required such as an additional two-way toggle switch or our two way slide switch)
- Evaluate available technologies that can be used, for example:
 - 3D printer
 - laser cutter (which allows more interesting shapes than usual)
 - vacuum former
- Take into account weight distribution and ease of operation
- Consider the practical aspects of construction and assembly. For example, clearance for the wheels

MAKING / CONSTRUCTION

Once the Design process has been completed, the students will be able to start **building their design**. They will:

- Make and assemble the *SOLAR CAR V2* platform they have designed
- Mount the solar panel, motor, switch, axles and wheels on to the platform
- Wire up and solder the solar panel, motor and switch
- Test and adjust the *SOLAR CAR V2*
- Troubleshoot any problems!



DOES THE TEACHING UNIT INCLUDE ANY THEORY?

The Teaching unit has a THEORY section that covers:

- How solar panel works
- How the circuit works

WHAT ELSE IS NEEDED?

The following items are required in addition to the kit and must be supplied by the maker – some are available from Scorpio Technology, but need to be ordered separately:

| ADDITIONAL REQUIREMENTS | ORDERING CODE |
|---|----------------------|
| Multi strand hook-up wire in assorted colours | WIREHU10 |
| Double-sided adhesive tape or Tape rectangles | TAPEDS/TAPEDS15x20x1 |
| Hot glue or Double-sided adhesive tape | GLUESTK or TAPEDS |

RECOMMENDED SPARES

We recommend the following spares when buying class sets of kits to replace parts damaged or lost by students:

| ITEMS | ORDERING CODE |
|---|---------------------------------|
| Steel rod and Plastic guide tube (pack of 5 of each) | SRGTW |
| Wheels – 52mm diameter (chrome) (pack of 40) | W52C2 |
| All Spur gears (packs of 10 or packs of 50 available) | GEAR50/10/2.4, GEAR60/10/2.4 |
| Pinion gears (packs of 10 or packs of 50 available) | GEAR12/1.9, |

TOOLS REQUIRED

The following tools are required. Several are available from Scorpio Technology, and can be ordered separately if required:

| REQUIRED TOOLS | ORDERING CODE |
|---|-----------------------|
| Assorted hand tools (depending on materials used) | - |
| Hammer | HAMMERCPC/HAMMERCL |
| Ruler and pen | - |
| Craft knife | CRKNF |
| Soldering Iron and Soldering iron stand: – a good quality soldering iron, with a fine tip or | SOLDIRN SOLDIRNSTD |
| Soldering station | SOLDSTN |
| Solder: – 0.71mm 60/40 solder is recommended | SOLD500 |
| Wire strippers | WIRESTR |
| Side cutters | SIDECUT or SIDECUTM |
| Mini Bolt Cutters | BOLTCUTM |



SUGGESTED ITEMS FOR TESTING

- A calibrated solar panel (SOLAR10) that is used with a multimeter to show the percentage of sunlight at any given time
- A Multimeter (MULTIM) paired with the SOLAR10 displays the sunlight efficiency

